



Wheelchair accessible taxis

Last updated: 27 September 2022

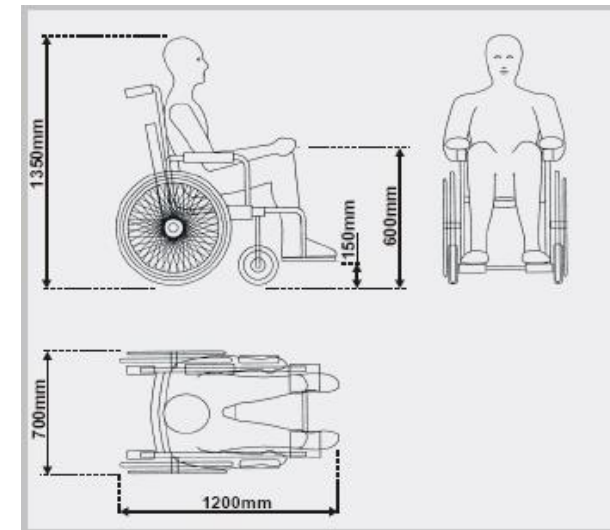
Dacorum Borough Council is responsible for licensing taxis and private hire vehicles which operate within the borough. We ensure that a proportion of taxis in the borough are safely constructed and equipped to carry passengers in wheelchairs.

This document contains details of all the licensed taxis and private hire vehicles which have been designated by the Council under section 167 of the Equality Act 2010. This means that all drivers of these vehicles are subject to additional legal duties under section 165 of that Act.

When one of these vehicles is hired by or for a disabled person who is in a wheelchair, or by another person who wishes to be accompanied by a disabled person who is in a wheelchair, the driver of the vehicle must:

- a) **carry the passenger while in their wheelchair;**
- b) **not make any additional charge for doing so;**
- c) **if the passenger chooses to sit in a passenger seat, carry their wheelchair;**
- d) **take such steps as are necessary to ensure that the passenger is carried in safety and reasonable comfort;**
- e) **give the passenger such mobility assistance as is reasonably required, i.e. assistance:**
 - i) **to enable the passenger to get into or out of the vehicle;**
 - ii) **if the passenger wishes to remain in the wheelchair, to enable the passenger to get into and out of the vehicle while in their wheelchair;**
 - iii) **to load the passenger's luggage into or out of the vehicle;**
 - iv) **if the passenger does not wish to remain in the wheelchair, to load the wheelchair into or out of the vehicle.**

It may not be possible for taxis to carry larger specialist or motorised wheelchairs in their vehicles, if the safety of the passenger cannot be assured. The statutory duties will therefore apply to wheelchairs sized up to the dimensions of the following 'reference wheelchair':



Length:
1200mm (approx.
48")
including footplates

Width:
700mm (28")

Total seated height:
1350mm (54")

Clearance under footplate:
150mm (6")

A small number of drivers have been exempted from these duties due to medical conditions which affect their ability to safely carry them out. Such drivers must display an official exemption certificate in their vehicle.

We will update this list periodically with any revisions, please check our website for the latest version (www.dacorum.gov.uk/taxi).

Licence number	Registration number	Vehicle make/model	Vehicle Licence Type	Licence Expires
HV062	GJ51 CAB	Ford Transit	Hackney Carriage	31 st March 2023
HV071	SP56 RAS	Mercedes Viano	Hackney Carriage	29 th September 2023
HV097	KN11 XJO	Mercedes Viano	Hackney Carriage	6 th March 2023
HV154	OU60 ZBC	Mercedes Vito	Hackney Carriage	1 st September 2023
HV209	SF13 GFZ	Peugeot Premier	Hackney Carriage	16 th April 2023
HV231	KJ69 CJF	Mercedes Vito	Hackney Carriage	14 th December 2022
HV250	YL17 JDK	Mercedes Vito	Hackney Carriage	20 th July 2023
HV282	DK08 FXV	Citroen Berlingo	Hackney Carriage	13 th August 2023
HV304	SA08 JWZ	Ford Tourneo	Hackney Carriage	12 th August 2023
HV317	KX64 RXH	Ford Tourneo	Hackney Carriage	28 th October 2022
HV318	F4 AYT	Mercedes Viano	Hackney Carriage	19 th November 2022
HV322	T4 XLV	Ford Tourneo	Hackney Carriage	12 th July 2023
HV325	BA54 CAB	Peugeot Partner Tepee	Hackney Carriage	26 th March 2023
HV339	LO19 VWU	Mercedes Vito	Hackney Carriage	31 st May 2023
HV341	KV06 PGR	Mercedes Viano	Hackney Carriage	6 th September 2023
HV343	SF17 HFM	Ford Tourneo	Hackney Carriage	25 th November 2022
HV346	LR71 VJU	Mercedes-Benz Vito	Hackney Carriage	4 th October 2022
PV021	BX55 JZM	Renault Master	Private Hire Vehicle	31 st January 2023
PV426	SF69 FWY	Peugeot Boxer	Private Hire Vehicle	16 th August 2023